



We Shape Architecture

Pixel light · C Series · C89

2022

Application

Low power consumption, high brightness. Support for a variety of customization including: pixel pitch, LED color (RGB, RGBW or Single Color). P66 protection grade, UL94-V0 flame retardant grade, Class III electrical safety, ensure effectively- tively the stability of the lamp in outdoor environment for all weather conditions. Flexible mounting performance for a variety of irregular structures, easy installation and maintenance. Cost-effective for large scale installation. (Glass curtain walls, large building Display, Decorations, 3D shapes, etc.

Lighting Performance

Customizable for different LED options (RGB, RGBW, White, Dynamic White, Single Color). With two different versions: clear or diffused. Color resolution of 16 bits, effects are more stylish and smooth; Exceeding the DMX protocol with more capacity and flexibility by utilizing our proprietary.

Lighting Structure

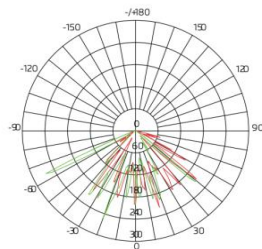
UV-resistant PC housing, Light-weight, Excellent anti shock ability, Long life and not easy to be aging or yellowing, can be mount on the building surface by bracket. The Steel wire and Aluminum Profile installation ensure reliable connections, while flexible and varied mounting options make it easy for installers to make LED fixture part of any structure.

Technical Specification:

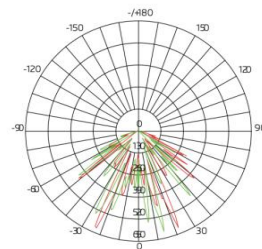
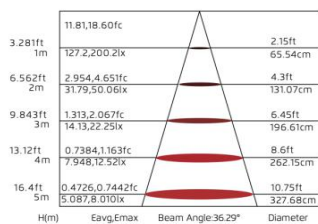
Model	C89-RGB	C89-RGB	C89-RGB
Chip Brand	CREE	CREE	CREE
LED Source	6 SMD RGB	6 SMD RGBW	12 SMD W
Grey Scale	65536	65536	65536
Beam Angle	120°	120°	120°
Housing	Aluminum	Aluminum	Aluminum
Surface Coating	Powder Coating	Powder Coating	Powder Coating
Housing Color	Black/Silver/Customized	Black/Silver/Customized	Black/Silver/Customized
Cover	Flat/Dome	Flat/Dome	Flat/Dome
Weight	500g	500g	500g
Certification	ETL、CE、ROHS	ETL、CE、ROHS	ETL、CE、ROHS
Operating Voltage	DC24V	DC24V	DC24V
Power Consumption	10W	10W	10W
Ingress Protection	IP66	IP66	IP66
Fire Protection Rating	UL94-V0	UL94-V0	UL94-V0
Operating Temperature	-35~60°C	-35~60°C	-35~60°C
Storage Temperature	-40~70°C	-40~70°C	-40~70°C
Lifespan	≥80000h	≥80000h	≥80000h
Control	DMX512	DMX512	ON-OFF or DMX512

※ Specification is subject to changes without prior notice for product improver

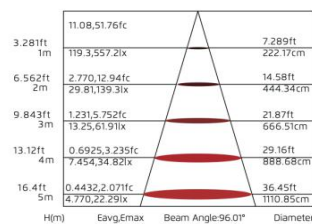
Optical Parameters:



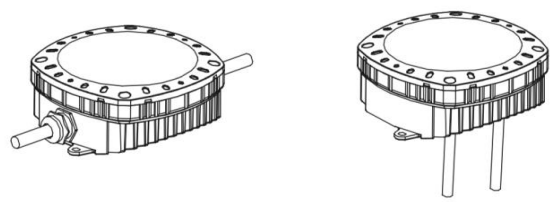
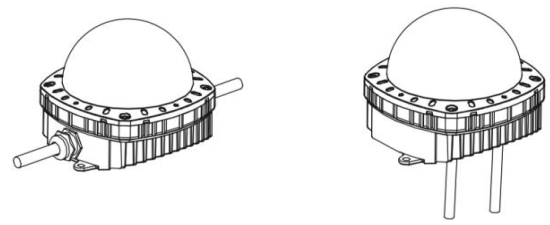
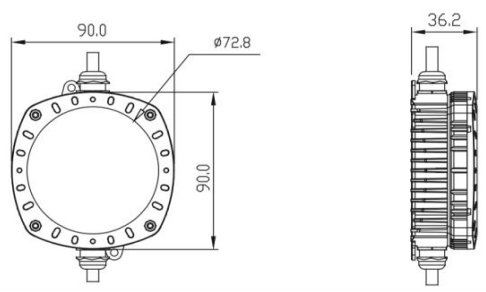
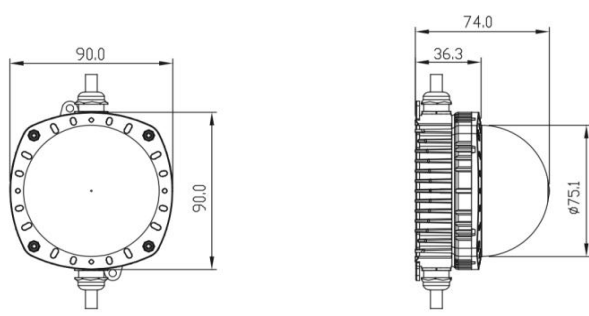
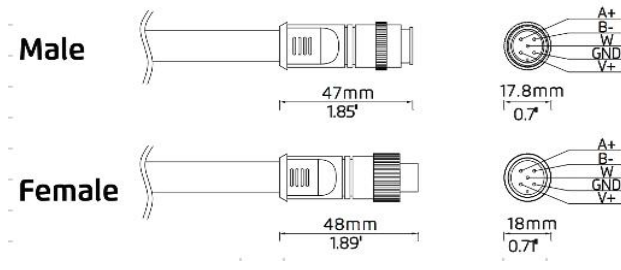
Lumination Icon (RGB)



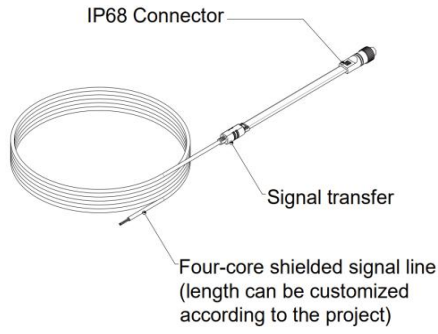
Lumination Icon (W)



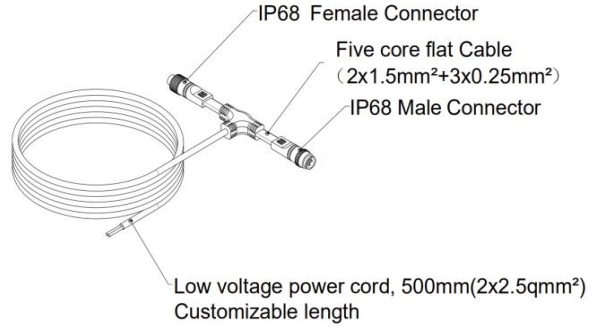
Product Structure Drawing (mm)



Installation Accessories 1



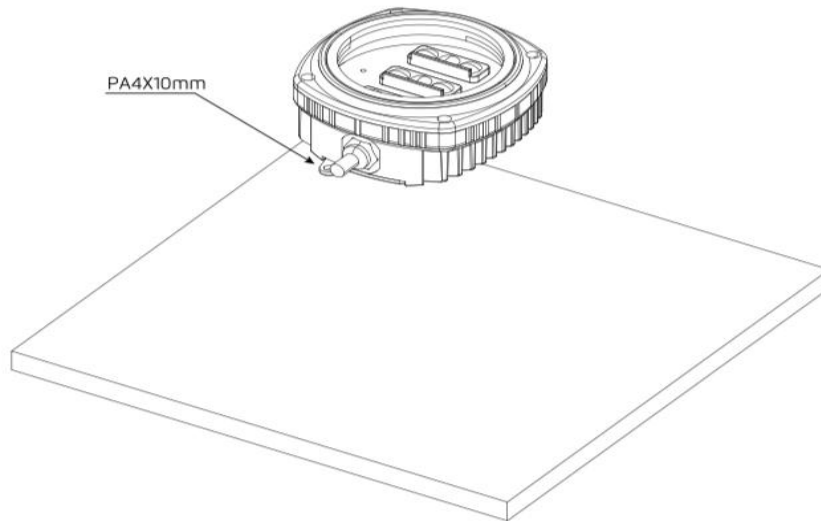
Signal Adapter



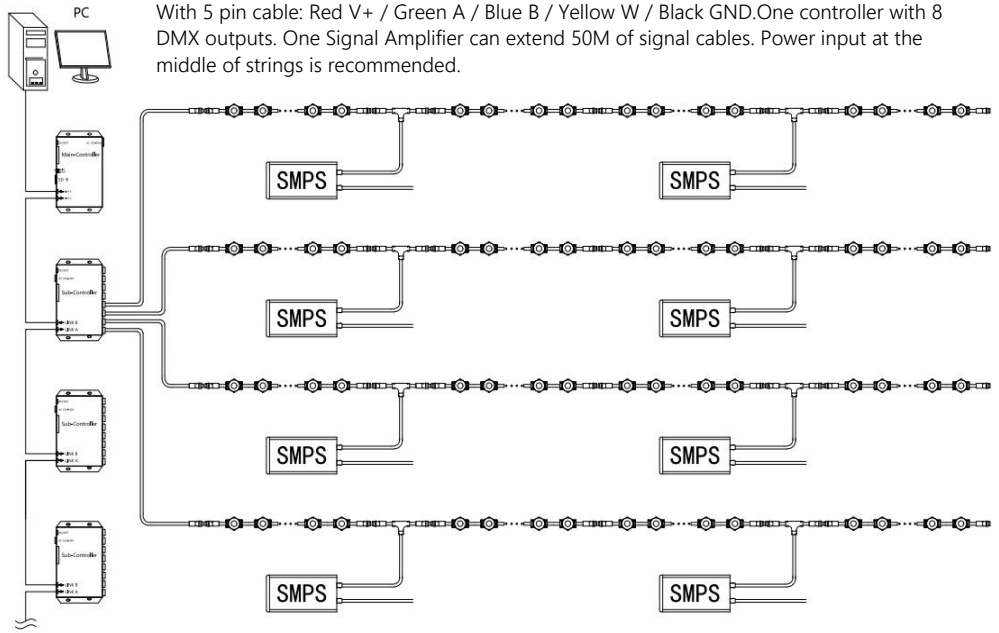
Power T Connector

Installation Method

1. Screw install



Control System Diagram



With 5 pin cable: Red V+ / Green A / Blue B / Yellow W / Black GND. One controller with 8 DMX outputs. One Signal Amplifier can extend 50M of signal cables. Power input at the middle of strings is recommended.

※ The actual system diagram may subject to change from the above example.

Project Cases

